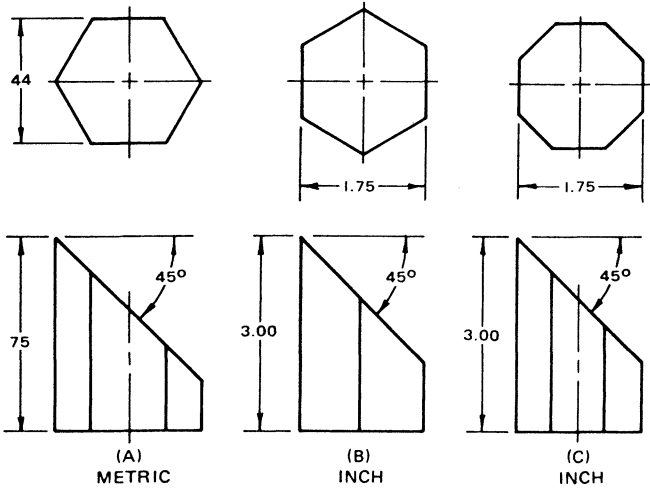
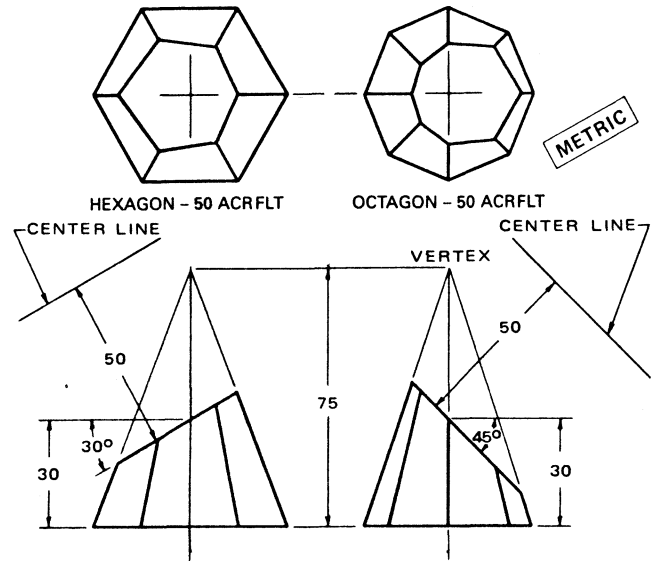


1. On a separate sheet, draw the object shown here.

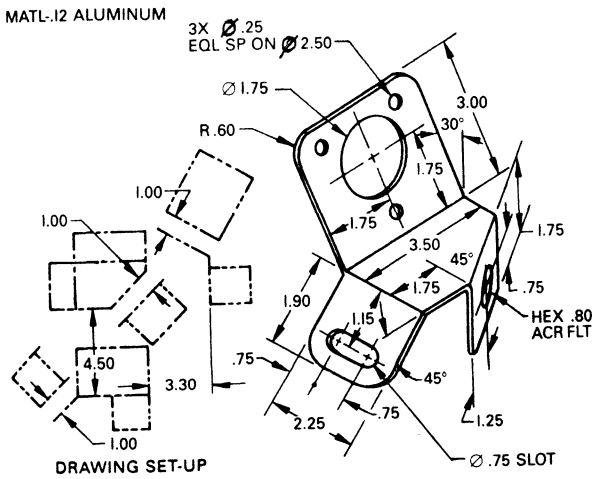


2. On a separate sheet, draw the object shown here.

one of 5



3. On a separate sheet, draw the object shown here.



4. On a separate sheet, draw the object shown here.

