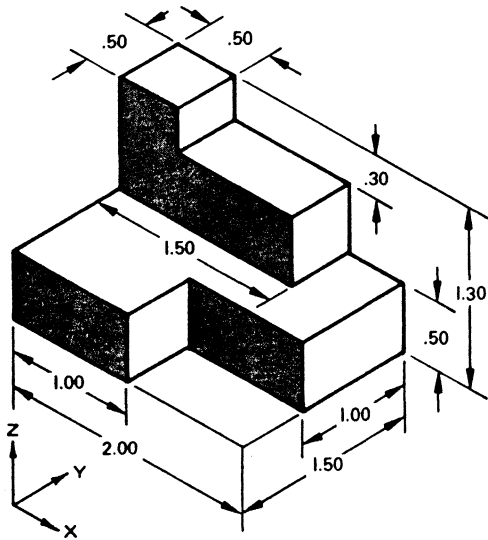
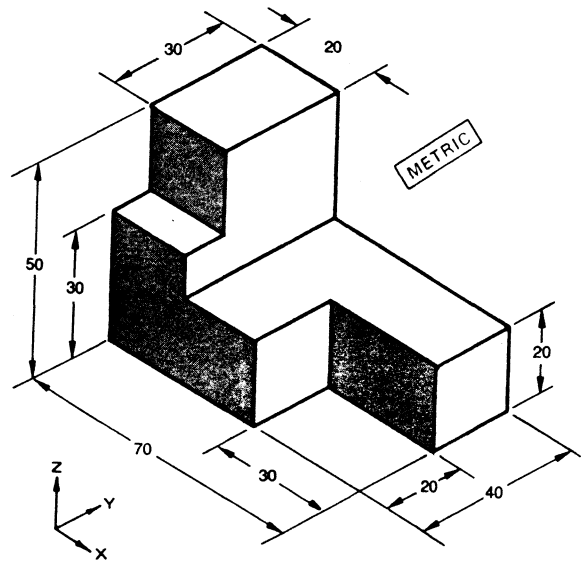


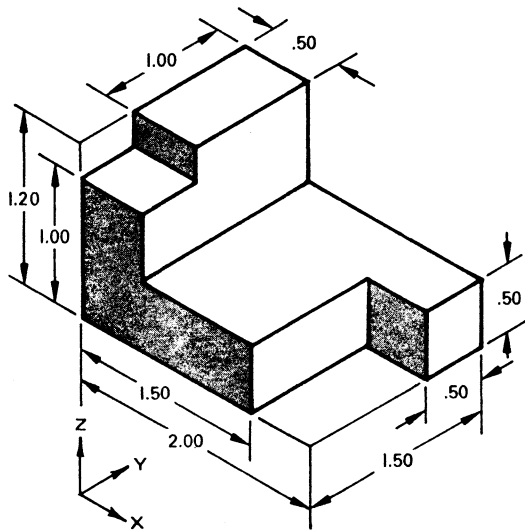
7. On a separate sheet, draw the object shown here. Identify the drawing number, the class, and your name.



8. On a separate sheet, draw the object shown here. Identify the drawing number, the class, and your name.



9. Using CAD, draw the object shown here.



10. Using CAD, draw the object shown here.

